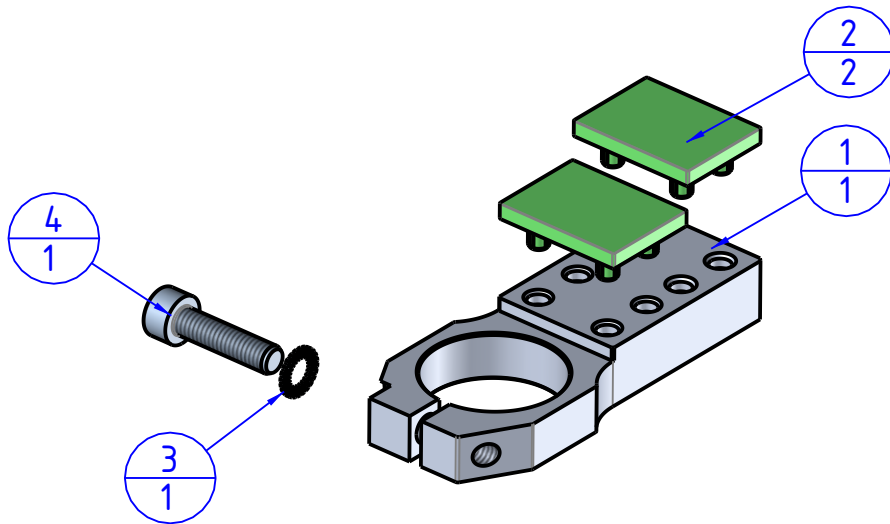
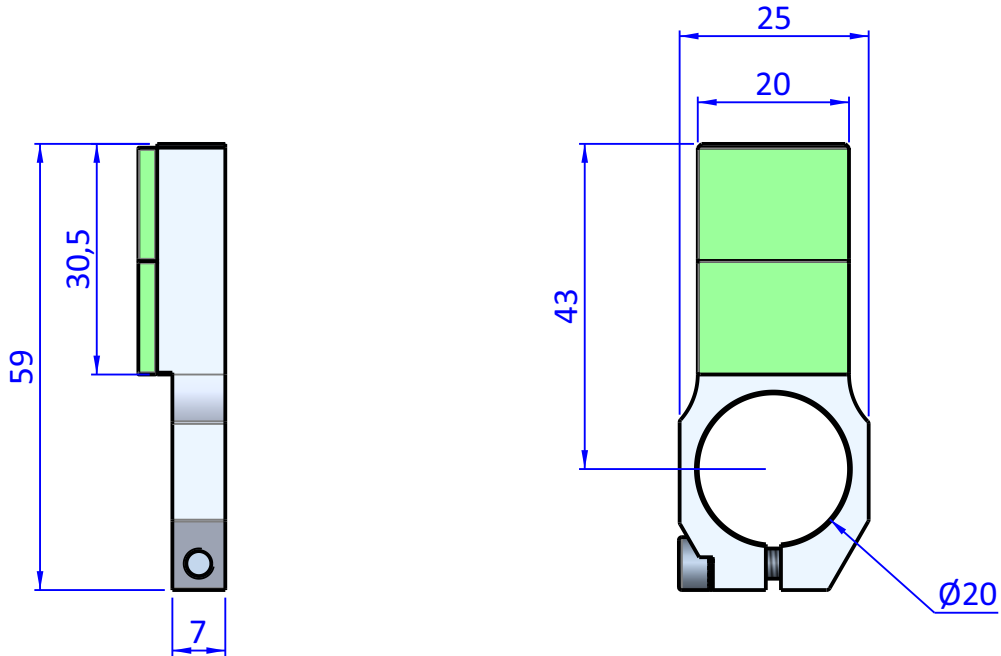

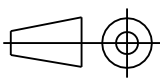


THE PROPERTY OF THE DRAWING IS ESTABLISHED BY LAW. IT IS FORBIDDEN TO PRODUCE OR SHOW IT TO THIRD PART. WITHOUT A WRITTEN AGREEMENT.

Item	Name	Q.ty
1	GRF20.95.07.30	1
2	GRF20.95.08.V	2
3	R.4.SCH	1
4	V.TCE4x16	1



Format A4 UNI 936-76	 FPS SERVICES AUTOMATION		DESIGNED FROM <b>FPS Automation</b>	REVIEW <b>A</b>
			DATE 28/06/2023	WEIGHT 0,020kg
			CODE <b>GRF20.95.0708.30</b>	
GENERAL TOLERANCE UNI - ISO 2768 CLASSE f		DESCRIPTION <b>GRF20.95.0708.30</b>		